

Male flow regulator with knob (bi-directional) - Metric tube to M5 - RPM BG



Metric male threading

M5

For tube OD (mm)

4

Operating pressure

0 to 145 psi

Temperature

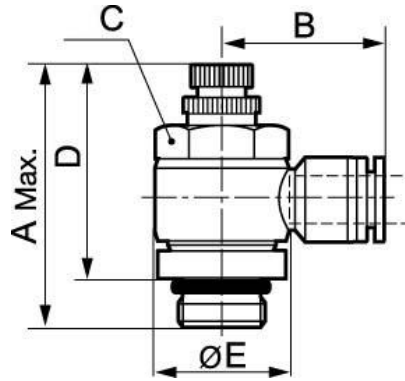
+32°F to +140°F

Construction

Polymer and nickel-plated brass

Description

Reference	Metric male threading	For tube OD (mm)
RPM BG04M5	M5	4
RPM BG06M5	M5	6



Dimensions

Reference	A inch	B inch	C inch	D inch	E inch
RPM BG04M5	0.10498687664042	0.064632545931759	0.026246719160105	0.091863517060367	0.032808398950131
RPM BG06M5	0.10498687664042	0.073818897637795	0.026246719160105	0.091863517060367	0.032808398950131