

Equal multiple tee - Metric tube - RPN ET



For tube OD (mm)

4

Operating pressure

0 to 145 psi

Temperature

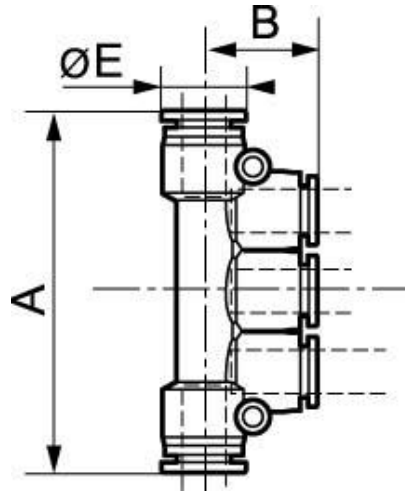
+32°F to +140°F

Construction

Polymer and nickel-plated
brass

Description

Reference	For tube OD (mm)
RPN ET0404	4
RPN ET0606	6
RPN ET0808	8



Dimensions

Reference	A inch	B inch	E inch
RPN ET0404	0.19356955380577	0.063976377952756	0.032808398950131
RPN ET0606	0.19849081364829	0.063976377952756	0.041994750656168
RPN ET0808	0.26115485564305	0.078740157480315	0.045275590551181