

Equal union tee - Metric tube - RPT ET



For tube OD (mm)

4

Operating pressure

0 to 145 psi

Temperature

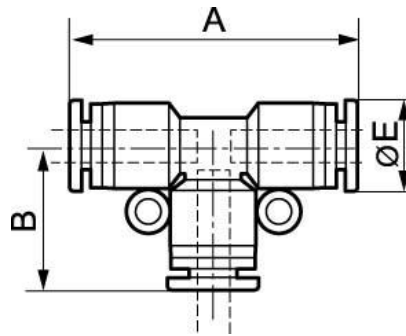
+32°F to +140°F

Construction

Polymer and nickel-plated
brass

Description

Reference	For tube OD (mm)
RPT ET0404	4
RPT ET0606	6
RPT ET0808	8
RPT ET1010	10
RPT ET1212	12
RPT ET1414	14
RPT ET1616	16



Dimensions

Reference	A inch	B inch	E inch
RPT ET0404	0.11482939632546	0.05741469816273	0.032808398950131
RPT ET0606	0.13123359580052	0.065616797900262	0.041994750656168
RPT ET0808	45.6	22.8	13.8
RPT ET1010	0.17716535433071	0.088582677165354	0.05511811023622
RPT ET1212	0.18241469816273	0.091207349081365	0.06496062992126
RPT ET1414	0.20341207349081	0.10170603674541	0.074475065616798
RPT ET1616	0.20997375328084	0.10498687664042	0.078083989501312