

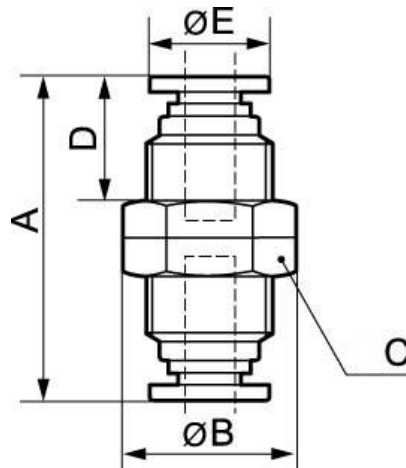
## Bulkhead fitting - Metric tube - RPU TT



<u>Panel depth (in)</u> 0.51	<u>Drill Ø (in)</u> 0.5	<u>For tube OD (mm)</u> 4	<u>Operating pressure</u> 0 to 145 psi
<u>Temperature</u> +32°F to +140°F	<u>Construction</u> Polymer and nickel-plated brass		

Description			
Reference	Panel depth (in)	Drill Ø (in)	For tube OD (mm)
RPU TT0404	0.51	0.5	4
RPU TT0606	0.51	0.6	6
RPU TT0808	0.59	0.7	8
RPU TT1010	0.59	0.8	10
RPU TT1212	0.59	0.9	12

Reference	Panel depth (in)	Drill Ø (in)	For tube OD (mm)
<b>RPU TT1616</b>	0.79	1.0	16



### Dimensions

Reference	A inch	B inch	C inch	D inch	E inch
<b>RPU TT0404</b>	0.11154855643045	0.054133858267717	0.045931758530184	0.042650918635171	0.032808398950131
<b>RPU TT0606</b>	0.11811023622047	0.065616797900262	0.055774278215223	0.045931758530184	0.041994750656168
<b>RPU TT0808</b>	0.12959317585302	0.072178477690289	0.062335958005249	0.051837270341207	0.045275590551181
<b>RPU TT1010</b>	0.13320209973753	0.091863517060367	0.078740157480315	0.054133858267717	0.05511811023622
<b>RPU TT1212</b>	0.14599737532808	0.1000656167979	0.085301837270341	0.058398950131234	0.06496062992126
<b>RPU TT1616</b>	0.17060367454068	0.10662729658793	0.091863517060367	0.06003937007874	0.078083989501312