

## Male regulator with adjusting screw (bi-directional) - Metric tube to male BSPT - RPV BR



**BSPT male thread**

1/8" MBSP

**For tube OD (mm)**

4

**Operating pressure**

0 to 145 psi

**Temperature**

+32°F to +140°F

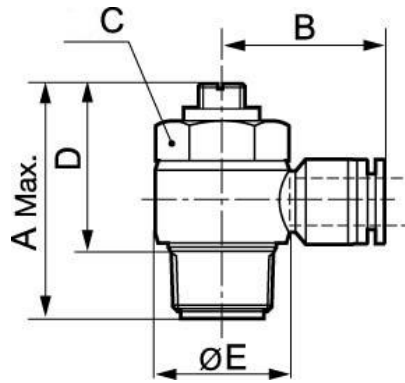
**Construction**

Polymer and nickel-plated  
brass

### Description

Reference	BSPT male thread	For tube OD (mm)
<b>RPV BR0400</b>	1/8" MBSP	4
<b>RPV BR0401</b>	1/4" MBSP	4
<b>RPV BR0600</b>	1/8" MBSP	6
<b>RPV BR0601</b>	1/4" MBSP	6
<b>RPV BR0602</b>	3/8" MBSP	6

Reference	BSPT male thread	For tube OD (mm)
<b>RPV BR0603</b>	1/2" MBSP	6
<b>RPV BR0800</b>	1/8" MBSP	8
<b>RPV BR0801</b>	1/4" MBSP	8
<b>RPV BR0802</b>	3/8" MBSP	8
<b>RPV BR0803</b>	1/2" MBSP	8
<b>RPV BR1000</b>	1/8" MBSP	10
<b>RPV BR1001</b>	1/4" MBSP	10
<b>RPV BR1002</b>	3/8" MBSP	10
<b>RPV BR1003</b>	1/2" MBSP	10
<b>RPV BR1201</b>	1/4" MBSP	12
<b>RPV BR1202</b>	3/8" MBSP	12
<b>RPV BR1203</b>	1/2" MBSP	12



### Dimensions

Reference	A inch	B inch	D inch	E inch
RPV BR0400	1.181			
RPV BR0401	1.575	0.945	1.22	
RPV BR0600	1.181	0.906		
RPV BR0601	1.575	1.22		
RPV BR0602	1.89	1.457	0.866	
RPV BR0603				
RPV BR0800	1.181			
RPV BR0801	1.575	1.22		
RPV BR0802	1.89	1.457	0.866	
RPV BR0803				
RPV BR1000	1.181			
RPV BR1001	1.575	1.22	1.22	
RPV BR1002	1.89	1.22	1.457	0.866
RPV BR1003	1.339			
RPV BR1201	1.575	1.22		
RPV BR1202	1.89	1.339	1.457	0.866

Reference	A inch	B inch	D inch	E inch
RPV BR1203				