

Male flow regulator with adjusting screw (control out) male BSPT to metric tube - RPV OR



BSPT male thread

1/8" MBSP

For tube OD (mm)

4

Operating pressure

0 to 145 psi

Temperature

+32°F to +140°F

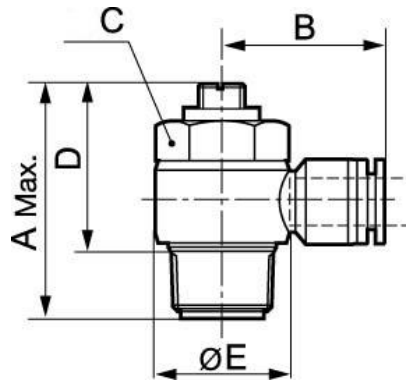
Construction

Polymer and nickel-plated
brass

Description

Reference	BSPT male thread	For tube OD (mm)
RPV OR0400	1/8" MBSP	4
RPV OR0401	1/4" MBSP	4
RPV OR0600	1/8" MBSP	6
RPV OR0601	1/4" MBSP	6
RPV OR0602	3/8" MBSP	6
RPV OR0603	1/2" MBSP	6

Reference	BSPT male thread	For tube OD (mm)
RPV OR0800	1/8" MBSP	8
RPV OR0801	1/4" MBSP	8
RPV OR0802	3/8" MBSP	8
RPV OR0803	1/2" MBSP	8
RPV OR1000	1/8" MBSP	10
RPV OR1001	1/4" MBSP	10
RPV OR1002	3/8" MBSP	10
RPV OR1003	1/2" MBSP	10
RPV OR1201	1/4" MBSP	12
RPV OR1202	3/8" MBSP	12
RPV OR1203	1/2" MBSP	12



Dimensions

Reference	A inch	B inch	D inch	E inch
RPV OR0400	1.299			
RPV OR0401	1.614	0.945	1.26	
RPV OR0600	1.299	0.906		
RPV OR0601	1.614	1.26		
RPV OR0602	2.047	1.614	0.866	
RPV OR0603	2.244	1.732		
RPV OR0800	1.299			
RPV OR0801	1.614	1.26		
RPV OR0802	2.047	1.614	0.866	
RPV OR0803	2.244	1.732		
RPV OR1000	1.299			
RPV OR1001	1.614	1.22	1.26	
RPV OR1002	2.047	1.22	1.614	0.866
RPV OR1003	2.244	1.339	1.732	
RPV OR1201	1.614	1.26		
RPV OR1202	2.047	1.339	1.614	0.866

Reference	A inch	B inch	D inch	E inch
RPV OR1203	2.244	1.732		