

## Male banjo - Metric tube to male BSPT - RPB MR



**BSPT male thread**

1/8" MBSP

**For tube OD (mm)**

4

**Operating pressure**

0 to 145 psi

**Temperature**

+32°F to +140°F

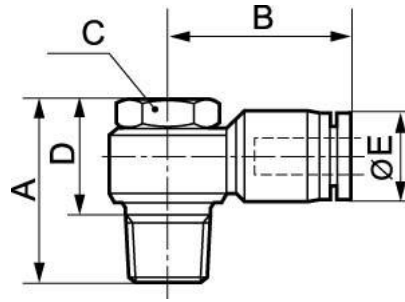
**Construction**

Polymer and nickel-plated  
brass

### Description

Reference	BSPT male thread	For tube OD (mm)
<b>RPB MR0400</b>	1/8" MBSP	4
<b>RPB MR0401</b>	1/4" MBSP	4
<b>RPB MR0600</b>	1/8" MBSP	6
<b>RPB MR0601</b>	1/4" MBSP	6
<b>RPB MR0602</b>	3/8" MBSP	6
<b>RPB MR0603</b>	1/2" MBSP	6
<b>RPB MR0800</b>	1/8" MBSP	8

Reference	BSPT male thread	For tube OD (mm)
<b>RPB MR0801</b>	1/4" MBSP	8
<b>RPB MR0802</b>	3/8" MBSP	8
<b>RPB MR0803</b>	1/2" MBSP	8
<b>RPB MR1000</b>	1/8" MBSP	10
<b>RPB MR1001</b>	1/4" MBSP	10
<b>RPB MR1002</b>	3/8" MBSP	10
<b>RPB MR1003</b>	1/2" MBSP	10
<b>RPB MR1201</b>	1/4" MBSP	12
<b>RPB MR1202</b>	3/8" MBSP	12
<b>RPB MR1203</b>	1/2" MBSP	12
<b>RPB MR1602</b>	3/8" MBSP	16
<b>RPB MR1603</b>	1/2" MBSP	16



### Dimensions

Reference	A inch	B inch	C inch	D inch	E inch
<b>RPB MR0400</b>	0.082020997375328	0.071522309711286	0.032808398950131	0.05741469816273	0.032808398950131
<b>RPB MR0401</b>	0.095144356955381	0.078740157480315	0.045931758530184	0.065616797900262	0.032808398950131
<b>RPB MR0600</b>	0.082020997375328	0.075459317585302	0.032808398950131	0.05741469816273	0.041994750656168
<b>RPB MR0601</b>	0.095144356955381	0.083661417322835	0.045931758530184	0.065616797900262	0.041994750656168
<b>RPB MR0602</b>	0.11482939632546	0.088910761154856	0.062335958005249	0.078740157480315	0.041994750656168
<b>RPB MR0603</b>	0.13123359580052	0.098753280839895	0.078740157480315	0.088582677165354	0.041994750656168
<b>RPB MR0800</b>	0.082020997375328	0.080708661417323	0.032808398950131	0.05741469816273	0.045275590551181
<b>RPB MR0801</b>	0.095144356955381	0.087926509186352	0.045931758530184	0.065616797900262	0.045275590551181
<b>RPB MR0802</b>	0.11482939632546	0.094488188976378	0.062335958005249	0.078740157480315	0.045275590551181
<b>RPB MR0803</b>	0.13123359580052	0.1000656167979	0.078740157480315	0.088582677165354	0.045275590551181
<b>RPB MR1000</b>	0.082020997375328	0.093503937007874	0.032808398950131	0.05741469816273	0.05511811023622
<b>RPB MR1001</b>	0.095144356955381	0.10170603674541	0.045931758530184	0.065616797900262	0.05511811023622
<b>RPB MR1002</b>	0.11482939632546	0.10170603674541	0.062335958005249	0.078740157480315	0.05511811023622
<b>RPB MR1003</b>	0.13123359580052	0.11154855643045	0.078740157480315	0.088582677165354	0.05511811023622
<b>RPB MR1201</b>	0.095144356955381	0.10433070866142	0.045931758530184	0.065616797900262	0.06496062992126
<b>RPB MR1202</b>	0.11482939632546	0.11154855643045	0.062335958005249	0.078740157480315	0.06496062992126
<b>RPB MR1203</b>	0.13123359580052	0.11745406824147	0.078740157480315	0.088582677165354	0.06496062992126

Reference	A inch	B inch	C inch	D inch	E inch
<b>RPB MR1602</b>	0.11482939632546	0.11417322834646	0.062335958005249	0.078740157480315	0.078083989501312
<b>RPB MR1603</b>	0.13123359580052	0.12007874015748	0.078740157480315	0.088582677165354	0.078083989501312