

Male elbow - Metric tube to M5 - RPC MG



Metric male threading

M5

For tube OD (mm)

4

Operating pressure

0 to 145 psi

Temperature

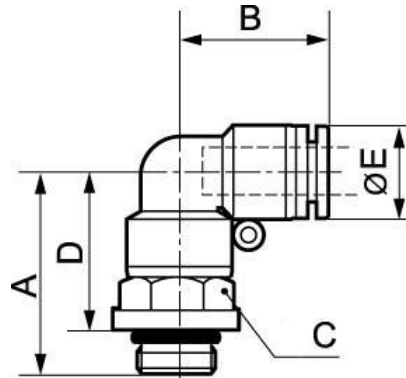
+32°F to +140°F

Construction

Polymer and nickel-plated
brass

Description

Reference	Metric male threading	For tube OD (mm)
RPC MG04M5	M5	4
RPC MG06M5	M5	6



Dimensions

Reference	A inch	B inch	C inch	D inch	E inch
RPC MG04M5	0.082020997375328	0.05741469816273	0.032808398950131	0.068897637795276	0.032808398950131
RPC MG06M5	0.090223097112861	0.067257217847769	0.039370078740158	0.077099737532808	0.041994750656168