

Male connector - Metric tube to male M5 - RPD MG



Metric male threading

M5

For tube OD (mm)

4

Operating pressure

0 to 145 psi

Temperature

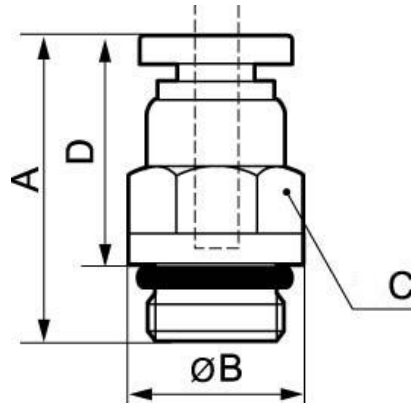
+32°F to +140°F

Construction

Polymer and nickel-plated
brass

Description

Reference	Metric male threading	For tube OD (mm)
RPD MG04M5	M5	4
RPD MG06M5	M5	6



Dimensions

Reference	A inch	B inch	C inch	D inch
RPD MG04M5	0.070538057742782	0.039370078740158	0.032808398950131	0.05741469816273
RPD MG06M5	0.078740157480315	0.045931758530184	0.039370078740158	0.065616797900262