

Male elbow - Metric tube to male BSPT - RPC MR



BSPT male thread

1/8" MBSP

For tube OD (mm)

4

Operating pressure

0 to 145 psi

Temperature

+32°F to +140°F

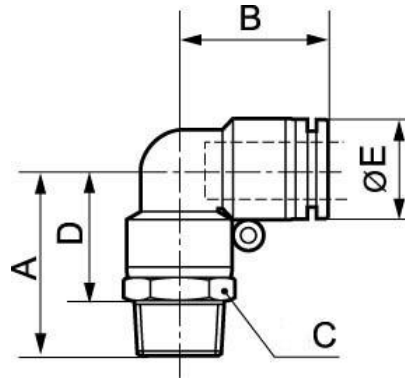
Construction

Polymer and nickel-plated
brass

Description

Reference	BSPT male thread	For tube OD (mm)
RPC MR0400	1/8" MBSP	4
RPC MR0401	1/4" MBSP	4
RPC MR0603	1/2" MBSP	6
RPC MR0800	1/8" MBSP	8
RPC MR0801	1/4" MBSP	8
RPC MR0802	3/8" MBSP	8
RPC MR1000	1/8" MBSP	10
RPC MR1001	1/4" MBSP	10

Reference	BSPT male thread	For tube OD (mm)
RPC MR1002	3/8" MBSP	10
RPC MR1003	1/2" MBSP	10
RPC MR1203	1/2" MBSP	12
RPC MR1402	3/8" MBSP	14
RPC MR1403	1/2" MBSP	14
RPC MR1602	3/8" MBSP	16
RPC MR1603	1/2" MBSP	16
RPC MR0600	R 1/8	6
RPC MR0601	R 1/4	6
RPC MR0602	R 3/8	6
RPC MR0803	R 1/2	8
RPC MR1202	R 3/8	12



Dimensions

Reference	A inch	B inch	C inch	D inch	E inch
RPC MR0400	0.082020997375328	0.05741469816273	0.032808398950131	0.05741469816273	0.032808398950131
RPC MR0401	0.086942257217848	0.05741469816273	0.045931758530184	0.05741469816273	0.032808398950131
RPC MR0603	0.11154855643045	0.067257217847769	0.068897637795276	0.068897637795276	0.041994750656168
RPC MR0800	0.096784776902887	0.073818897637795	0.045931758530184	0.072178477690289	0.045275590551181
RPC MR0801	0.10170603674541	0.073818897637795	0.045931758530184	0.072178477690289	0.045275590551181
RPC MR0802	0.10990813648294	0.073818897637795	0.055774278215223	0.073818897637795	0.045275590551181
RPC MR1000	0.10892388451444	0.086286089238845	0.055774278215223	0.084317585301837	0.05511811023622
RPC MR1001	0.11384514435696	0.086286089238845	0.055774278215223	0.084317585301837	0.05511811023622
RPC MR1002	0.12040682414698	0.086286089238845	0.055774278215223	0.084317585301837	0.05511811023622
RPC MR1003	0.12860892388451	0.086286089238845	0.068897637795276	0.085958005249344	0.05511811023622
RPC MR1203	0.13123359580052	0.091207349081365	0.068897637795276	0.088582677165354	0.06496062992126
RPC MR1402	0.13123359580052	0.097769028871391	0.072178477690289	0.095144356955381	0.074475065616798
RPC MR1403	0.13779527559055	0.097769028871391	0.072178477690289	0.095144356955381	0.074475065616798
RPC MR1602	0.13615485564304	0.1010498687664	0.078740157480315	0.1000656167979	0.078083989501312
RPC MR1603	0.14271653543307	0.1010498687664	0.078740157480315	0.1000656167979	0.078083989501312

Reference	A inch	B inch	C inch	D inch	E inch
RPC MR0600	27.5	20.5	12	20	12.8
RPC MR0601	29	20.5	14	20	12.8
RPC MR0602	31.5	20.5	17	20.5	12.8
RPC MR0803	36	22.5	21	23	13.8
RPC MR1202	38	27.8	19	27	19.8