

45° male elbow - Metric tube to male BSPT - RPQ MR



BSPT male thread

1/8" MBSP

For tube OD (mm)

4

Operating pressure

0 to 145 psi

Temperature

+32°F to +140°F

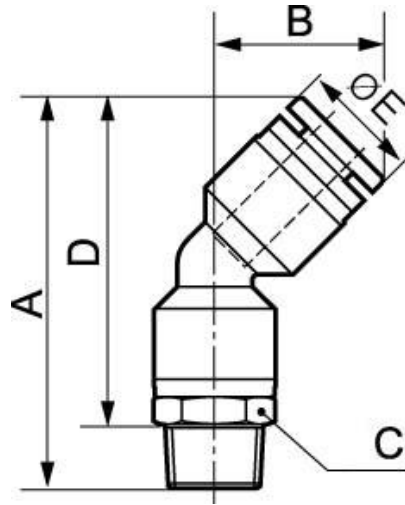
Construction

Polymer and nickel-plated
brass

Description

Reference	BSPT male thread	For tube OD (mm)
RPQ MR0400	1/8" MBSP	4
RPQ MR0401	1/4" MBSP	4
RPQ MR0500	1/8" MBSP	5
RPQ MR0501	1/4" MBSP	5
RPQ MR0502	3/8" MBSP	5
RPQ MR0503	1/2" MBSP	5
RPQ MR0600	1/8" MBSP	6

Reference	BSPT male thread	For tube OD (mm)
RPQ MR0601	1/4" MBSP	6
RPQ MR0602	3/8" MBSP	6
RPQ MR0603	1/2" MBSP	6
RPQ MR0800	1/8" MBSP	8
RPQ MR0801	1/4" MBSP	8
RPQ MR0802	3/8" MBSP	8
RPQ MR0803	1/2" MBSP	8
RPQ MR1000	1/8" MBSP	10
RPQ MR1001	1/4" MBSP	10
RPQ MR1002	3/8" MBSP	10
RPQ MR1003	1/2" MBSP	10
RPQ MR1201	1/4" MBSP	12
RPQ MR1202	3/8" MBSP	12
RPQ MR1203	1/2" MBSP	12



Dimensions

Reference	A inch	B inch	C inch	D inch	E inch
RPQ MR0400	0.12926509186352	0.04757217847769	0.032808398950131	0.10465879265092	0.032808398950131
RPQ MR0401	0.13418635170604	0.04757217847769	0.045931758530184	0.10465879265092	0.032808398950131
RPQ MR0500	0.14107611548556	0.054133858267717	0.039370078740158	0.11646981627297	0.041994750656168
RPQ MR0501	0.14599737532808	0.054133858267717	0.045931758530184	0.11646981627297	0.041994750656168
RPQ MR0502	0.15419947506562	0.054133858267717	0.055774278215223	0.11811023622047	0.041994750656168
RPQ MR0503	0.16240157480315	0.054133858267717	0.068897637795276	0.11975065616798	0.041994750656168
RPQ MR0600	0.14107611548556	0.054133858267717	0.039370078740158	0.11646981627297	0.041994750656168
RPQ MR0601	0.14599737532808	0.054133858267717	0.045931758530184	0.11646981627297	0.041994750656168
RPQ MR0602	0.15419947506562	0.054133858267717	0.055774278215223	0.11811023622047	0.041994750656168
RPQ MR0603	0.16240157480315	0.054133858267717	0.068897637795276	0.11975065616798	0.041994750656168
RPQ MR0800	0.1509186351706	0.062335958005249	0.045931758530184	0.12631233595801	0.045275590551181
RPQ MR0801	0.15583989501312	0.062335958005249	0.045931758530184	0.12631233595801	0.045275590551181
RPQ MR0802	0.16404199475066	0.062335958005249	0.055774278215223	0.12795275590551	0.045275590551181
RPQ MR0803	0.17224409448819	0.062335958005249	0.068897637795276	0.12959317585302	0.045275590551181

Reference	A inch	B inch	C inch	D inch	E inch
RPQ MR1000	0.16830708661417	0.072178477690289	0.055774278215223	0.14370078740157	0.05511811023622
RPQ MR1001	0.17322834645669	0.072178477690289	0.055774278215223	0.14370078740157	0.05511811023622
RPQ MR1002	0.17979002624672	0.072178477690289	0.055774278215223	0.14370078740157	0.05511811023622
RPQ MR1003	0.18799212598425	0.072178477690289	0.068897637795276	0.14534120734908	0.05511811023622
RPQ MR1201	0.18208661417323	0.075459317585302	0.062335958005249	0.15255905511811	0.06496062992126
RPQ MR1202	0.19028871391076	0.075459317585302	0.062335958005249	0.15419947506562	0.06496062992126
RPQ MR1203	0.19685039370079	0.075459317585302	0.068897637795276	0.15419947506562	0.06496062992126