

Y male - Metric tube to male BSPT - RPY MR



BSPT male thread

1/8" MBSP

For tube OD (mm)

4

Operating pressure

0 to 145 psi

Temperature

+32°F to +140°F

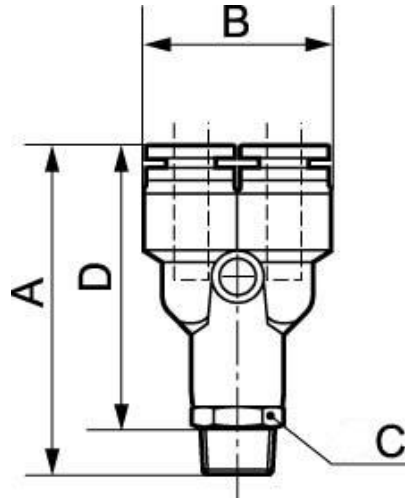
Construction

Polymer and nickel-plated brass

Description

Reference	BSPT male thread	For tube OD (mm)
RPY MR0400	1/8" MBSP	4
RPY MR0401	1/4" MBSP	4
RPY MR0600	1/8" MBSP	6
RPY MR0601	1/4" MBSP	6
RPY MR0602	3/8" MBSP	6

Reference	BSPT male thread	For tube OD (mm)
RPY MR0603	1/2" MBSP	6
RPY MR0800	1/8" MBSP	8
RPY MR0801	1/4" MBSP	8
RPY MR0802	3/8" MBSP	8
RPY MR0803	1/2" MBSP	8
RPY MR1000	1/8" MBSP	10
RPY MR1001	1/4" MBSP	10
RPY MR1002	3/8" MBSP	10
RPY MR1003	1/2" MBSP	10
RPY MR1201	1/4" MBSP	12
RPY MR1202	3/8" MBSP	12
RPY MR1203	1/2" MBSP	12
RPY MR1402	3/8" MBSP	14
RPY MR1403	1/2" MBSP	14
RPY MR1602	3/8" MBSP	16
RPY MR1603	1/2" MBSP	16



Dimensions

Reference	A inch	B inch	C inch	D inch
RPY MR0400	0.13615485564304	0.065616797900262	0.032808398950131	0.11154855643045
RPY MR0401	0.14107611548556	0.065616797900262	0.045931758530184	0.11154855643045
RPY MR0600	0.14435695538058	0.083989501312336	0.039370078740158	0.11975065616798
RPY MR0601	0.1492782152231	0.083989501312336	0.045931758530184	0.11975065616798
RPY MR0602	0.15748031496063	0.083989501312336	0.055774278215223	0.12139107611549
RPY MR0603	0.16568241469816	0.083989501312336	0.068897637795276	0.12303149606299
RPY MR0800	0.14534120734908	0.090551181102362	0.045931758530184	0.12073490813648
RPY MR0801	0.1502624671916	0.090551181102362	0.045931758530184	0.12073490813648
RPY MR0802	0.15846456692913	0.090551181102362	0.055774278215223	0.12237532808399
RPY MR0803	0.16666666666667	0.090551181102362	0.068897637795276	0.1240157480315
RPY MR1000	0.18405511811024	0.11023622047244	0.055774278215223	0.15944881889764
RPY MR1001	0.18897637795276	0.11023622047244	0.055774278215223	0.15944881889764
RPY MR1002	0.19553805774278	0.10695538057743	0.055774278215223	0.15944881889764
RPY MR1003	0.20374015748031	0.11023622047244	0.068897637795276	0.16108923884514

Reference	A inch	B inch	C inch	D inch
RPY MR1201	0.1994750656168	0.12992125984252	0.062335958005249	0.16994750656168
RPY MR1202	0.20767716535433	0.12992125984252	0.062335958005249	0.17158792650919
RPY MR1203	0.21423884514436	0.12992125984252	0.068897637795276	0.17158792650919
RPY MR1402	0.21259842519685	0.1489501312336	0.072178477690289	0.17650918635171
RPY MR1403	0.21916010498688	0.1489501312336	0.072178477690289	0.17650918635171
RPY MR1602	0.21817585301837	0.15616797900262	0.078740157480315	0.18208661417323
RPY MR1603	0.2247375328084	0.15616797900262	0.078740157480315	0.18208661417323