

ALTO 1 - 1/4" Diverter block for non-lubricated outlets



NPT female thread

1/4" FNPT

Air outlet

4 non-lubricated outlets

Temperature

+41°F to +122°F

Construction

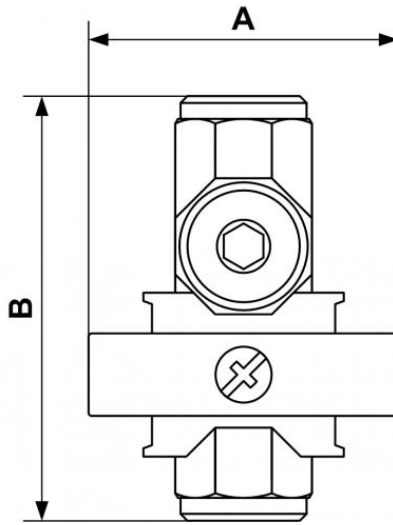
Body : Aluminium
Polycarbonate bowl with
metallic protection

Equipped with

Manual drain

Description

Reference	NPT female thread	Air outlet
TE 201	1/4" FNPT	4 non-lubricated outlets



Dimensions

Reference	A inch	B inch	C inch
TE 201	0.14107611548556	0.18044619422572	0.15748031496063