

Male elbow - Fractional inch tube to male NPT - RPC MR



NPT male thread

1/8" MNPT

For tube OD (in)

1/8

Operating pressure

0 to 145 psi

Temperature

+32°F to +140°F

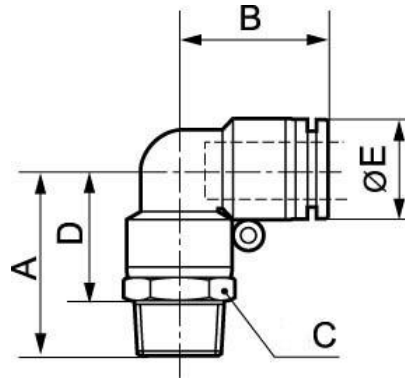
Construction

Polymer and nickel-plated
brass

Description

Reference	NPT male thread	For tube OD (in)
RPC MR1820	1/8" MNPT	1/8
RPC MR5320	1/8" MNPT	5/32
RPC MR5321	1/4" MNPT	5/32
RPC MR3120	1/8" MNPT	3/16
RPC MR3121	1/4" MNPT	3/16
RPC MR3122	3/8" MNPT	3/16
RPC MR4120	1/8" MNPT	1/4
RPC MR4121	1/4" MNPT	1/4

Reference	NPT male thread	For tube OD (in)
RPC MR4122	3/8" MNPT	1/4
RPC MR5120	1/8" MNPT	5/16
RPC MR5121	1/4" MNPT	5/16
RPC MR5122	3/8" MNPT	5/16
RPC MR3820	1/8" MNPT	3/8
RPC MR3821	1/4" MNPT	3/8
RPC MR3822	3/8" MNPT	3/8
RPC MR3823	1/2" MNPT	3/8
RPC MR2121	1/4" MNPT	1/2
RPC MR2122	3/8" MNPT	1/2
RPC MR2123	1/2" MNPT	1/2



Dimensions

Reference	A inch	B inch	C inch	D inch	E inch
RPC MR1820	0.083661417322835	0.026246719160105	139.6062992126	0.05741469816273	0.032808398950131
RPC MR5320	0.083661417322835	0.026246719160105	139.6062992126	0.05741469816273	0.032808398950131
RPC MR5321	0.093503937007874	0.036089238845144	139.80971128609	0.05741469816273	0.032808398950131
RPC MR3120	0.093503937007874	0.026246719160105	139.6062992126	0.067257217847769	0.041994750656168
RPC MR3121	0.10170603674541	0.036089238845144	139.80971128609	0.067257217847769	0.041994750656168
RPC MR3122	0.10662729658793	0.039370078740158	140.00984251969	0.067257217847769	0.041994750656168
RPC MR4120	0.093503937007874	0.026246719160105	147.5	0.067257217847769	0.041994750656168
RPC MR4121	0.10170603674541	0.036089238845144	139.80971128609	0.067257217847769	0.041994750656168
RPC MR4122	0.10662729658793	0.039370078740158	140.00984251969	0.067257217847769	0.041994750656168
RPC MR5120	0.098425196850394	0.026246719160105	139.80971128609	0.073818897637795	0.045275590551181
RPC MR5121	0.10826771653543	0.036089238845144	139.80971128609	0.073818897637795	0.045275590551181
RPC MR5122	0.11318897637795	0.039370078740158	140.00984251969	0.073818897637795	0.045275590551181
RPC MR3820	0.11056430446194	0.026246719160105	140.00984251969	0.086286089238845	0.05511811023622
RPC MR3821	0.12040682414698	0.036089238845144	140.00984251969	0.086286089238845	0.05511811023622
RPC MR3822	0.12368766404199	0.039370078740158	140.00984251969	0.086286089238845	0.05511811023622

Reference	A inch	B inch	C inch	D inch	E inch
RPC MR3823	0.13681102362205	0.049212598425197	148.11351706037	0.086286089238845	0.05511811023622
RPC MR2121	0.12860892388451	0.036089238845144	148.11351706037	0.093175853018373	0.067257217847769
RPC MR2122	0.13188976377953	0.039370078740158	148.11351706037	0.093175853018373	0.067257217847769
RPC MR2123	0.14337270341207	0.049212598425197	148.11351706037	0.093175853018373	0.067257217847769