

Straight female connector - Fractional inch tube to female NPT - RPD FR



NPT female thread

1/8" FNPT

For tube OD (in)

1/8

Operating pressure

0 to 145 psi

Temperature

+32°F to +140°F

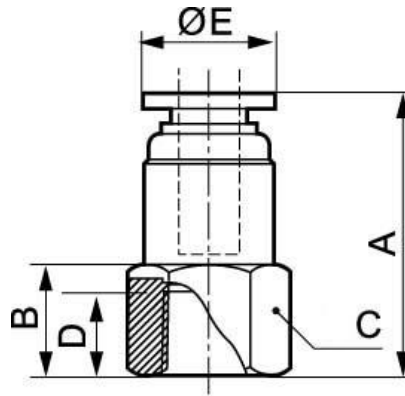
Construction

Polymer and nickel-plated
brass

Description

Reference	NPT female thread	For tube OD (in)
RPD FR1820	1/8" FNPT	1/8
RPD FR5320	1/8" FNPT	5/32
RPD FR5321	1/4" FNPT	5/32
RPD FR3120	1/8" FNPT	3/16
RPD FR3121	1/4" FNPT	3/16

Reference	NPT female thread	For tube OD (in)
RPD FR4120	1/8" FNPT	1/4
RPD FR4121	1/4" FNPT	1/4
RPD FR5120	1/8" FNPT	5/16
RPD FR5121	1/4" FNPT	5/16
RPD FR5122	3/8" FNPT	5/16
RPD FR3821	1/4" FNPT	3/8
RPD FR3822	3/8" FNPT	3/8
RPD FR2121	1/4" FNPT	1/2
RPD FR2122	3/8" FNPT	1/2



Dimensions

Reference	A inch	B inch	C inch	D inch	E inch
RPD FR1820	0.086942257217848	0.036089238845144	147.5	0.029527559055118	0.032808398950131
RPD FR5320	0.086942257217848	0.036089238845144	147.5	0.029527559055118	0.032808398950131
RPD FR5321	0.095144356955381	0.045931758530184	140.00984251969	0.039370078740158	0.032808398950131
RPD FR3120	0.086942257217848	0.036089238845144	147.5	0.029527559055118	0.041994750656168
RPD FR3121	0.095144356955381	0.045931758530184	140.00984251969	0.039370078740158	0.041994750656168
RPD FR4120	0.091863517060367	0.036089238845144	139.80971128609	0.029527559055118	0.041994750656168
RPD FR4121	0.10170603674541	0.045931758530184	140.00984251969	0.039370078740158	0.041994750656168
RPD FR5120	0.098425196850394	0.036089238845144	140.00984251969	0.029527559055118	0.045275590551181
RPD FR5121	0.10498687664042	0.045931758530184	140.00984251969	0.039370078740158	0.045275590551181
RPD FR5122	0.10662729658793	0.049212598425197	148.11351706037	0.042650918635171	0.045275590551181
RPD FR3821	0.10695538057743	0.045931758530184	148.11351706037	0.039370078740158	0.05511811023622
RPD FR3822	0.11023622047244	0.049212598425197	148.11351706037	0.042650918635171	0.05511811023622
RPD FR2121	0.11351706036745	0.045931758530184	148.11351706037	0.039370078740158	0.067257217847769
RPD FR2122	0.12171916010499	0.049212598425197	148.11351706037	0.042650918635171	0.067257217847769