

Male reducer - Metric tube to male BSPT - RPN KR



BSPT male thread

1/8" MBSP

For tube OD (mm)

4

Operating pressure

0 to 145 psi

Temperature

+32°F to +140°F

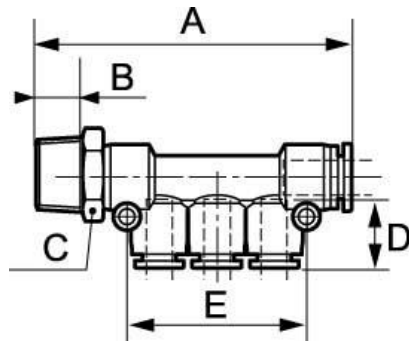
Construction

Polymer and nickel-plated
brass

Description

Reference	BSPT male thread	For tube OD (mm)
RPN KR6400	1/8" MBSP	4
RPN KR8401	1/4" MBSP	4
RPN KR8601	1/4" MBSP	6
RPN KR1082	1/8" MBSP	8

Reference	BSPT male thread	For tube OD (mm)
RPN KR1083	1/2" MBSP	8



Dimensions

Reference	A inch	B inch	C inch	D inch	E inch
RPN KR6400	0.22047244094488	0.024606299212598	0.045931758530184	0.050853018372703	0.13254593175853
RPN KR8401	0.22637795275591	0.029527559055118	0.045931758530184	0.050853018372703	0.13254593175853
RPN KR8601	0.22769028871391	0.029527559055118	0.055774278215223	0.051181102362205	0.13254593175853
RPN KR1082	0.29625984251969	0.036089238845144	0.068897637795276	0.059055118110236	0.15419947506562
RPN KR1083	0.30446194225722	0.042650918635171	0.068897637795276	0.059055118110236	0.15419947506562