

Male branch tee - Fractional inch tube to male NPT - RPT CR



NPT male thread

1/8" MNPT

For tube OD (in)

1/8

Operating pressure

0 to 145 psi

Temperature

+32°F to +140°F

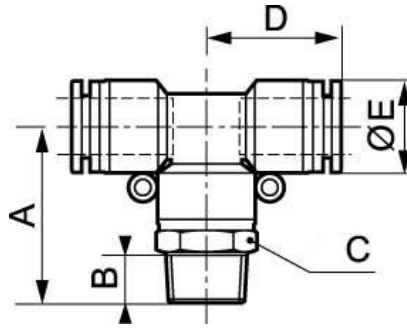
Construction

Polymer and nickel-plated
brass

Description

Reference	NPT male thread	For tube OD (in)
RPT CR1820	1/8" MNPT	1/8
RPT CR5320	1/8" MNPT	5/32
RPT CR5321	1/4" MNPT	5/32
RPT CR3120	1/8" MNPT	3/16
RPT CR3121	1/4" MNPT	3/16
RPT CR3122	3/8" MNPT	3/16

Reference	NPT male thread	For tube OD (in)
RPT CR4120	1/8" MNPT	1/4
RPT CR4121	1/4" MNPT	1/4
RPT CR4122	3/8" MNPT	1/4
RPT CR5120	1/8" MNPT	5/16
RPT CR5121	1/4" MNPT	5/16
RPT CR5122	3/8" MNPT	5/16
RPT CR3820	1/8" MNPT	3/8
RPT CR3821	1/4" MNPT	3/8
RPT CR3822	3/8" MNPT	3/8
RPT CR3823	1/2" MNPT	3/8
RPT CR2121	1/4" MNPT	1/2
RPT CR2122	3/8" MNPT	1/2
RPT CR2123	1/2" MNPT	1/2



Dimensions

Reference	A inch	B inch	C inch	D inch	E inch
RPT CR1820	0.083661417322835	0.026246719160105	139.6062992126	0.05741469816273	0.032808398950131
RPT CR5320	0.083661417322835	0.026246719160105	139.6062992126	0.05741469816273	0.032808398950131
RPT CR5321	0.093503937007874	0.036089238845144	139.80971128609	0.05741469816273	0.032808398950131
RPT CR3120	0.093503937007874	0.026246719160105	147.5	0.067257217847769	0.041994750656168
RPT CR3121	0.10170603674541	0.036089238845144	139.80971128609	0.067257217847769	0.041994750656168
RPT CR3122	0.10662729658793	0.039370078740158	140.00984251969	0.067257217847769	0.041994750656168
RPT CR4120	0.093503937007874	0.026246719160105	147.5	0.067257217847769	0.041994750656168
RPT CR4121	0.10170603674541	0.036089238845144	139.80971128609	0.067257217847769	0.041994750656168
RPT CR4122	0.10662729658793	0.039370078740158	140.00984251969	0.067257217847769	0.041994750656168
RPT CR5120	0.098425196850394	0.026246719160105	139.80971128609	0.073818897637795	0.045275590551181
RPT CR5121	0.10826771653543	0.036089238845144	139.80971128609	0.073818897637795	0.045275590551181
RPT CR5122	0.11318897637795	0.039370078740158	140.00984251969	0.073818897637795	0.045275590551181
RPT CR3820	0.11056430446194	0.026246719160105	140.00984251969	0.086286089238845	0.05511811023622
RPT CR3821	0.12040682414698	0.036089238845144	140.00984251969	0.086286089238845	0.05511811023622
RPT CR3822	0.12368766404199	0.039370078740158	140.00984251969	0.086286089238845	0.05511811023622
RPT CR3823	0.13681102362205	0.049212598425197	148.11351706037	0.086286089238845	0.05511811023622

Reference	A inch	B inch	C inch	D inch	E inch
RPT CR2121	0.12860892388451	0.036089238845144	148.11351706037	0.093175853018373	0.067257217847769
RPT CR2122	0.13188976377953	0.039370078740158	148.11351706037	0.093175853018373	0.067257217847769
RPT CR2123	0.14337270341207	0.049212598425197	148.11351706037	0.093175853018373	0.067257217847769