

Male elbow - Fractional inch tube to 10-32 UNF - RPC MG



UNF thread

10-32 UNF

For tube OD (in)

1/8

Operating pressure

0 to 145 psi

Temperature

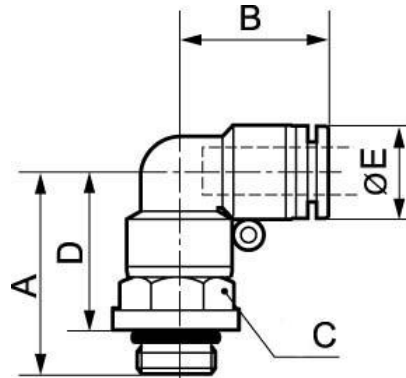
+32°F to +140°F

Construction

Polymer and nickel-plated
brass

Description

Reference	UNF thread	For tube OD (in)
RPC MG1826	10-32 UNF	1/8
RPC MG5326	10-32 UNF	5/32
RPC MG3126	10-32 UNF	3/16
RPC MG4126	10-32 UNF	1/4



Dimensions

Reference	A inch	B inch	C inch	D inch	E inch
RPC MG1826	0.082020997375328	0.013123359580053	139.6062992126	0.05741469816273	0.032808398950131
RPC MG5326	0.082020997375328	0.013123359580053	139.6062992126	0.05741469816273	0.032808398950131
RPC MG3126	0.090223097112861	0.013123359580053	139.6062992126	0.067257217847769	0.041994750656168
RPC MG4126	0.090223097112861	0.013123359580053	147.5	0.067257217847769	0.041994750656168