

Male connector - Fractional inch tube to 10-32 UNF - RPD MG



UNF thread

10-32 UNF

For tube OD (in)

1/8

Operating pressure

0 to 145 psi

Temperature

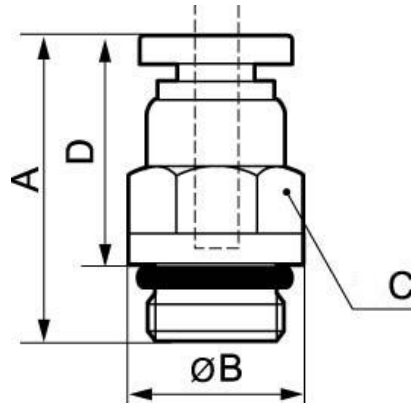
+32°F to +140°F

Construction

Polymer and nickel-plated
brass

Description

Reference	UNF thread	For tube OD (in)
RPD MG1826	10-32 UNF	1/8
RPD MG5326	10-32 UNF	5/32
RPD MG3126	10-32 UNF	3/16
RPD MG4126	10-32 UNF	1/4



Dimensions

Reference	A inch	B inch	C inch	D inch	E inch
RPD MG1826	0.070538057742782	0.013123359580053	139.6062992126	0.05741469816273	0.032808398950131
RPD MG5326	0.070538057742782	0.013123359580053	139.6062992126	0.05741469816273	0.032808398950131
RPD MG3126	0.070538057742782	0.013123359580053	139.6062992126	0.05741469816273	0.041994750656168
RPD MG4126	0.078740157480315	0.013123359580053	147.5	0.065616797900262	0.041994750656168