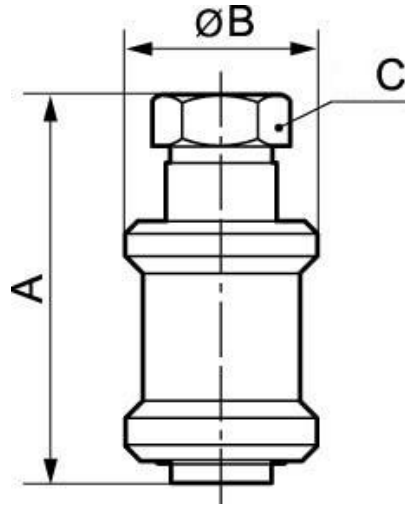


Slide valve



Description	
Reference	NPT female thread
A17 200	1/8" FNPT
A17 201	1/4" FNPT
A17 202	3/8" FNPT
A17 203	1/2" FNPT



Dimensions

Reference	A inch	B inch	C inch
A17 200	0.15748031496063	0.082020997375328	0.045931758530184
A17 201	0.19028871391076	0.098425196850394	0.055774278215223
A17 202	0.22965879265092	0.11482939632546	0.072178477690289
A17 203	0.26246719160105	0.13123359580052	0.085301837270341