

## Brass Bushing



NPT male thread

1/4" MNPT

NPT female thread

1/8" FNPT

Operating pressure

0 to 217 psi

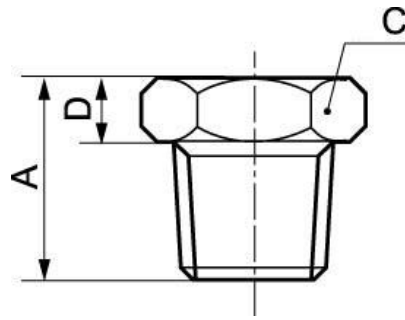
Construction

Brass and nickel-plated  
brass

### Description

Reference	NPT male thread	NPT female thread	BSPT male thread	BSPP female thread
<b>A4 251200</b>	1/4" MNPT	1/8" FNPT	R 3/4	G 1/2
<b>A4 3412</b>	3/8" MNPT	1/8" FNPT	R 1 1/4	G 3/4
<b>A4 252200</b>	3/8" MNPT	1/4" FNPT		
<b>A4 4234</b>	1/2" MNPT	1/4" FNPT		
<b>A4 252201</b>	1/2" MNPT	3/8" FNPT		
<b>A4 253201</b>	3/4" MNPT	1/4" FNPT		
<b>A4 253202</b>				

Reference	NPT male thread	NPT femalethread	BSPT male thread	BSPP female thread
<b>A4 254201</b>				



### Dimensions

Reference	A inch	B inch	C inch	D inch
<b>A4 251200</b>	0.062335958005249	0.045931758530184	0.019685039370079	
<b>A4 3412</b>	23	27	6.5	
<b>A4 252200</b>	0.063976377952756	0.062335958005249	0.021325459317585	
<b>A4 4234</b>	20	42	6	
<b>A4 252201</b>	0.075459317585302	0.062335958005249	0.032808398950131	
<b>A4 253201</b>	0.080380577427821	0.072178477690289	0.024606299212598	
<b>A4 253202</b>	0.04757217847769	0.039370078740158	0.019685039370079	
<b>A4 254201</b>	0.063066666666667	0.07875		