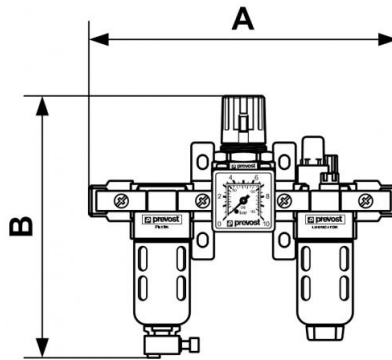


## ALTO 1 - 3-piece-set - 1/4" Filter-Regulator-Lubricator (gauge included) with wall bracket and pipe adapters



<p><b><u>NPT female thread</u></b> 1/4" FNPT</p>	<p><b><u>Flow rate (cfm at 87 psi ΔP)</u></b> 14psi) = 17.65</p>	<p><b><u>Max operating pressure (psi)</u></b> 174</p>	<p><b><u>Filtration (μm)</u></b> 25</p>
<p><b><u>Temperature</u></b> +41°F to +122°F</p>	<p><b><u>Construction</u></b> Body : Aluminium Polycarbonate bowl with metallic protection</p>	<p><b><u>Equipped with</u></b> Manual drain</p>	

Description				
Reference	NPT female thread	Flow rate (cfm at 87 psi ΔP)	Max operating pressure (psi)	Filtration (μm)
TT PSM201	1/4" FNPT	14psi) = 17.65	174	25



### Dimensions

Reference	A inch	B inch
<b>TT PSM201</b>	7.874	6.693