

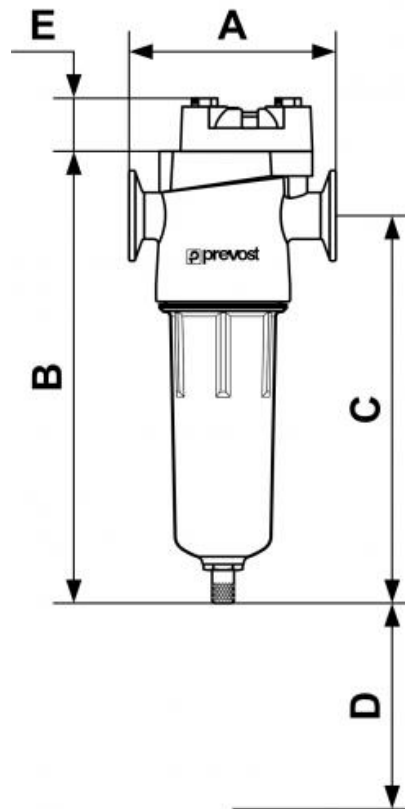
MFB Sub-micronic filter - Coalescing filter 0.01 µm



<u>Female thread (BSPP)</u> G 1/4	<u>Flow rate (in m³/h at 7 bar)</u> 34	<u>Replacement filter cartridge</u> MFBC 201	<u>Max operating pressure</u> 16 bar 16 bar, 11 bar for G 1 1/2 to G3
<u>Temperature</u> +1°C to +66°C	<u>Construction</u> Aluminium body and bowl	<u>Filtration</u> 0,01 µm	<u>Equipped with</u> Automatic float drain

Description					
Reference	Female thread (BSPP)	Flow rate (in m ³ /h at 7 bar)	Replacement filter cartridge	Female thread (NPT)	Flow rate (cfm at 100 psi)
MFB 201	G 1/4	34	MFBC 201	1/4" FNPT	20

Reference	Female thread (BSP)	Flow rate (in m ³ /h at 7 bar)	Replacement filter cartridge	Female thread (NPT)	Flow rate (cfm at 100 psi)
MFB 205	G 3/4	175	MFBC 205	3/8" FNPT	35
MFB 2201			MFBC 201	1/2" FNPT	50
MFB 2202			MFBC 202	3/4" FNPT	75
MFB 2203			MFBC 203	3/4" FNPT	103
MFB 2204			MFBC 204	1" FNPT	157
MFB 2205			MFBC 205	1" 1/2 FNPT	257
MFB 2206			MFBC 206	1" 1/2 FNPT	360
MFB 2207			MFBC 207	2" FNPT	401
MFB 2208			MFBC 208	2" 1/2 FNPT	584
MFB 2209			MFBC 209	2" 1/2 FNPT	775
MFB 2210			MFBC 210	2" 1/2 FNPT	1029
MFB 2211			MFBC 211	3" FNPT	1199
MFB 2212			MFBC 212		
MFB 2213			MFBC 213		



Dimensions

Reference	A inch	B inch	C inch	D inch	E inch
MFB 201	113.6	205.5	171.4	76	30
MFB 205	132	262.1	219.8	76	30
MFB 2201	0.37270341207349	0.6742125984252	0.56233595800525	0.249343832021	0.098425196850394
MFB 2202	0.37270341207349	0.6742125984252	0.56233595800525	0.249343832021	0.098425196850394
MFB 2203	0.37270341207349	0.82677165354331	0.70997375328084	0.249343832021	0.098425196850394
MFB 2204	0.43307086614173	0.85990813648294	0.72112860892388	0.249343832021	0.098425196850394
MFB 2205	0.43307086614173	0.85990813648294	0.72112860892388	0.249343832021	0.098425196850394
MFB 2206	0.43307086614173	1.0698818897638	0.78346456692913	0.249343832021	0.19685039370079
MFB 2207	0.65616797900263	1.1046587926509	0.90583989501312	0.249343832021	0.19685039370079

Reference	A inch	B inch	C inch	D inch	E inch
MFB 2208	0.65616797900263	1.4229002624672	1.2240813648294	0.249343832021	0.19685039370079
MFB 2209	0.65616797900263	1.8569553805774	1.6581364829396	0.249343832021	0.19685039370079
MFB 2210	0.75721784776903	2.0813648293963	1.8044619422572	0.249343832021	0.19685039370079
MFB 2211	0.75721784776903	2.0813648293963	1.8044619422572	0.249343832021	0.19685039370079
MFB 2212	0.75721784776903	2.0813648293963	1.8044619422572	0.249343832021	0.19685039370079
MFB 2213	0.75721784776903	2.6807742782152	2.4038713910761	0.249343832021	0.19685039370079