

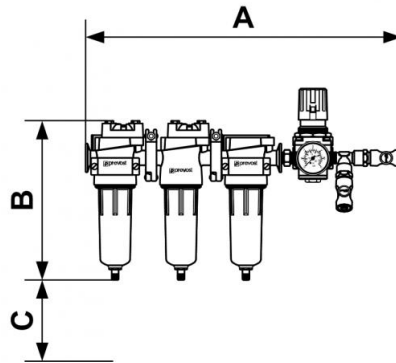
Combination Sub-micronic filters for paint spray guns



<p><u>Inlet BSPP female thread</u></p> <p>G 1/2</p>	<p><u>Outlet 2 couplings</u></p> <p>ESI 07</p>	<p><u>Flow rate (in m³/h at 7 bar)</u></p> <p>85</p>	<p><u>Operating pressure</u></p> <p>2 to 12 bar</p>
<p><u>Temperature</u></p> <p>+1°C to +66°C</p>	<p><u>Construction</u></p> <p>Aluminium body and bowl</p>	<p><u>Equipped with</u></p> <p>Quick release safety couplings and adaptors prevoS1</p>	

Description						
Reference	Inlet BSPP female thread	Outlet 2 couplings	Flow rate (in m ³ /h at 7 bar)	Interchange	Inlet NPT female thread	Flow rate (cfm at 100 psi)
MBCR 12ES	G 1/2	ESI 07	85	Industrial 1/4"	1/2" FNPT	50
MBCR 203IS		ISI 06		Automotive 1/4"	1/2" FNPT	50
MBCR 203US		USI 06		High Flow 3/8"	1/2" FNPT	50

Reference	Inlet BSPP female thread	Outlet 2 couplings	Flow rate (in m ³ /h at 7 bar)	Interchange	Inlet NPT female thread	Flow rate (cfm at 100 psi)
MBCR 203ES		ESI 07				



Dimensions

Reference	A inch	B inch	C inch
MBCR 12ES	570	280	76
MBCR 203IS	1.0269028871391	1.0826771653543	0.33464566929134
MBCR 203US	1.0269028871391	1.0826771653543	0.33464566929134
MBCR 203ES	1.0269028871391	1.0826771653543	0.33464566929134