

Combination filter regulator for paint spray gun



Inlet BSPP female thread

G 1/2

Outlet 1 coupling

ISI 06

Flow rate (in m³/h at 7 bar)

50

Operating pressure

2 to 12 bar

Temperature

+1°C to +66°C

Construction

Aluminium body and bowl

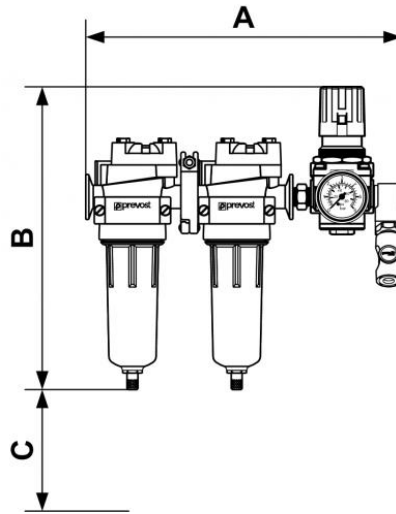
Equipped with

Quick release safety couplings and adaptors
prevoS1

Description

Reference	Inlet BSPP female thread	Outlet 1 coupling	Flow rate (in m ³ /h at 7 bar)	Interchange	Inlet NPT female thread	Flow rate (cfm at 100 psi)
MBR 12IS	G 1/2	ISI 06	50	Industrial 1/4"	1/2" FNPT	50
MBR 203IS		ISI 06		Automotive 1/4"	1/2" FNPT	50

Reference	Inlet BSPP female thread	Outlet 1 coupling	Flow rate (in m ³ /h at 7 bar)	Interchange	Inlet NPT female thread	Flow rate (cfm at 100 psi)
MBR 203US		USI 06		High Flow 3/8"	1/2" FNPT	50
MBR 203ES		ESI 07				



Dimensions

Reference	A inch	B inch	C inch
MBR 12IS	313	330	76
MBR 203IS	1.0269028871391	1.0826771653543	0.33464566929134
MBR 203US	1.0269028871391	1.0826771653543	0.33464566929134
MBR 203ES	1.0269028871391	1.0826771653543	0.33464566929134