

Combination Micro filter - Regulator TB CSM203 (gauge included)

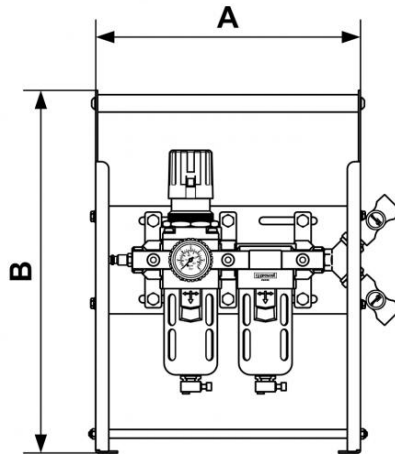
ALTO 3, on gantry



<p><u>Interchange</u> Industrial 1/4"</p>	<p><u>Inlet 1 plug</u> IRP 06</p>	<p><u>Filtration (µm)</u> 5 and 0.01</p>	<p><u>Outlet 2 couplings</u> ISI 06</p>
<p><u>Flow rate (cfm at 87 psi ΔP : 8.7 psi)</u> 29.4</p>	<p><u>Temperature</u> +41°F to +122°F</p>	<p><u>Construction</u> Body : Aluminium Polycarbonate bowl with metallic protection</p>	<p><u>Highlight</u> Easy to transport</p>
<p><u>Equipped with</u> Coupler and adapter</p>			

Description						
Reference	Interchange	Inlet 1 plug	Filtration (µm)	Outlet 2 couplings	Flow rate (cfm at 87 psi ΔP : 8.7 psi)	Flow rate (cfm at 87 psi ΔP)

PTC IS	Industrial 1/4"	IRP 06	5 and 0.01	ISI 06	29.4	8.7 psi) = 53
PTC IS8	Industrial 3/8"	IRP 08	5 and 0.01	ISI 08		8.7 psi) = 29.4
PTC US	Automotive 1/4"	URP 06	5 and 0.01	USI 06		8.7 psi) = 53
PTC US8	Automotive 3/8"	URP 08	5 and 0.01	ISI 08		8.7 psi) = 64.3
PTC ES	High Flow 3/8"	ERP 07	5 and 0.01	ESI 07		8.7 psi) = 28.3
PTC AS	ARO 210 1/4"	ARP 06	5 and 0.01	ASI 06		



Dimensions

Reference	A inch	B inch
PTC IS	11.929	16.417
PTC IS8	0.99409448818898	1.3681102362205
PTC US	0.99409448818898	1.3681102362205
PTC US8	0.99409448818898	1.3681102362205
PTC ES	0.99409448818898	1.3681102362205
PTC AS	0.99409448818898	1.3681102362205