

Combination Filter-Regulator-Lubricator TB SME203 with diverter block, on gantry



Interchange

Industrial 1/4"

Inlet 1 plug

IRP 06

Filtration (µm)

25

Outlet 3 couplings

2 x ISI 06 1 x ISI 06 (non lubricated outlet)

Flow rate (cfm at at 87 psi ΔP : 8.7 psi)

29.4

Temperature

+41°F to +122°F

Construction

Body : Aluminium
Polycarbonate bowl with metallic protection

Highlight

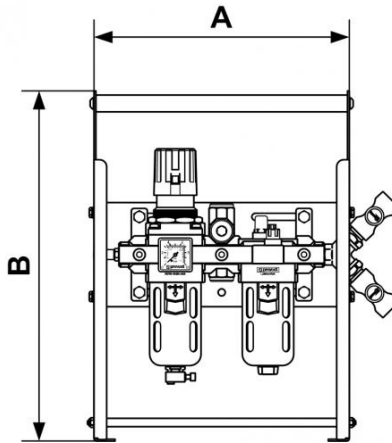
Easy to transport

Equipped with

Coupler and adapter

Description

Reference	Interchange	Inlet 1 plug	Filtration (µm)	Outlet 3 couplings	Flow rate (cfm at at 87 psi ΔP : 8.7 psi)	Flow rate (cfm at at 87 psi ΔP)
PTE IS	Industrial 1/4"	IRP 06	25	2 x ISI 06 1 x ISI 06 (non lubricated outlet)	29.4	8.7 psi) = 71.6
PTE IS8	Industrial 3/8"	IRP 08	25	2 x ISI 08 1 x ISI 08 (non lubricated outlet)		8.7 psi) = 71.6
PTE US8	Automotive 3/8"	URP 08	25	2 x USI 08 1 x USI 08 (non lubricated outlet)		8.7 psi) = 64.3
PTE ES	High Flow 3/8"	ERP 07	25	2 x ESI 07 1 x ESI 07 (non lubricated outlet)		



Dimensions

Reference	A inch	B inch
PTE IS	11.929	16.417
PTE IS8	0.99409448818898	1.3681102362205
PTE US8	0.99409448818898	1.3681102362205
PTE ES	0.99409448818898	1.3681102362205