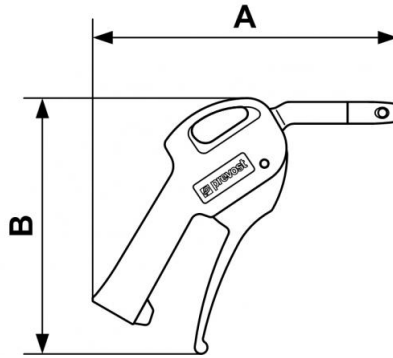


OSHA Venturi Nozzle Blow Gun



<u>NPT female thread</u> 1/4" FNPT	<u>Air consumption (at 87 psi (cfm))</u> 7.7	<u>Noise level (at 87 psi (dBA))</u> 90	<u>Blowing force (at 87 psi (Ozf))</u> 9.5
<u>Dynamic pressure (at 87 psi at 4")(psi)</u> 17	<u>Max operating pressure</u> 145 psi	<u>Construction</u> Polyamide composite body	<u>Highlight</u> Adjust gradually blowing

Description					
Reference	NPT female thread	Air consumption (at 87 psi (cfm))	Noise level (at 87 psi (dBA))	Blowing force (at 87 psi (Ozf))	Dynamic pressure (at 87 psi at 4")(psi)
27202 OSHA	1/4" FNPT	7.7	90	9.5	17



Dimensions

Reference	A inch	B inch
27202 OSHA	0.5511811023622	0.46259842519685