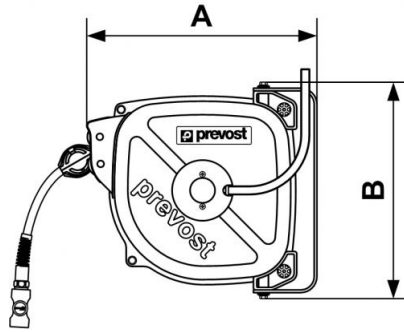


## DRF/I series - 304 stainless steel - Polyurethane hose Ether base



<b>ID (in)</b> 3/8"	<b>Length (ft)</b> 40'	<b>Coupler</b> ESI 07HE	<b>Flow rate (cfm)</b> 28
<b>Fixed inlet (in)</b> 3/8"	<b>Weight (lb)</b> 14.99	<b>Technology</b> Pipe locked with ratchet stop	<b>Max operating pressure</b> 174 psi
<b>Construction</b> AISI 304 stainless steel case	<b>Connection</b> 3.3 ft of inlet supply hose	<b>Equipped with</b> Swivel bracket	

Description						
Reference	ID (in)	Length (ft)	Coupler	Flow rate (cfm)	Fixed inlet (in)	Weight (lb)
<b>DRFI 1012ESHE</b>	3/8"	40'	ESI 07HE	28	3/8"	14.99



### Dimensions

Reference	A inch	B inch
<b>DRFI 1012ESHE</b>	1.2139107611549	1.1056430446194