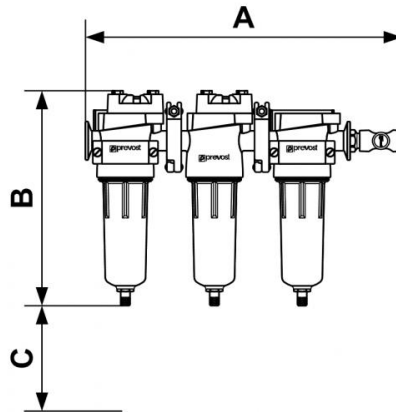


Combination Micronic - Submicronic - Carbon filter



<p><u>Interchange</u> Industrial 1/4"</p>	<p><u>Inlet NPT female thread</u> 1/2" FNPT</p>	<p><u>Outlet 1 coupling</u> ISI 06</p>	<p><u>Flow rate (cfm at 100 psi)</u> 50</p>
<p><u>Operating pressure</u> 29 to 174 psi</p>	<p><u>Temperature</u> +34°F to +150°F</p>	<p><u>Construction</u> Aluminum body and bowl</p>	<p><u>Equipped with</u> Quick release safety couplings and adaptors prevoS1</p>

Description				
Reference	Interchange	Inlet NPT female thread	Outlet 1 coupling	Flow rate (cfm at 100 psi)
MBC 203IS	Industrial 1/4"	1/2" FNPT	ISI 06	50
MBC 203US	Automotive 1/4"	1/2" FNPT	USI 06	50
MBC 203ES	High Flow 3/8"	1/2" FNPT	ESI 07	50



Dimensions

Reference	A inch	B inch	C inch
MBC 203IS	1.0269028871391	1.0826771653543	0.33464566929134
MBC 203US	1.0269028871391	1.0826771653543	0.33464566929134
MBC 203ES	1.0269028871391	1.0826771653543	0.33464566929134